



The original macerator pump for an extra WC anywhere you want.

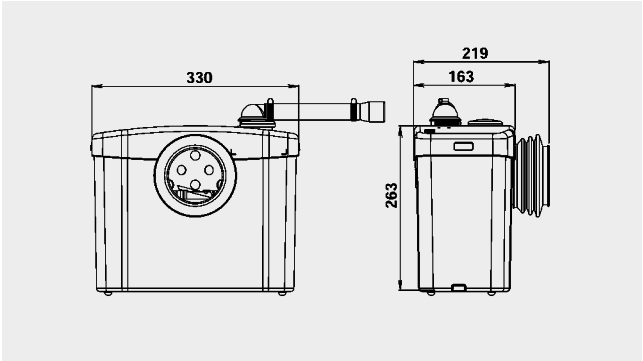
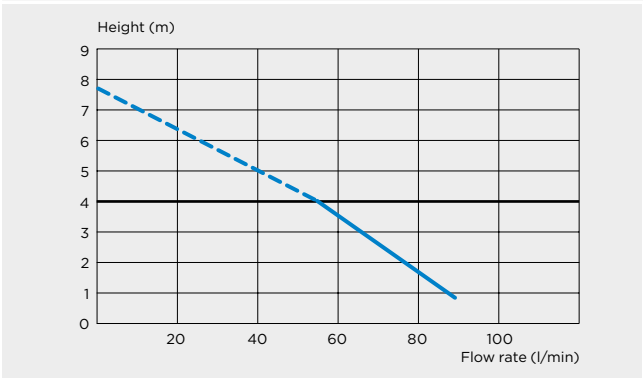






Discharge pipework	22 / 32 mm
IP rating	IP 44
Electrical power supply	220-240 V / 50-60 Hz
Motor power	400 W
Weight	5.6 kg
Non-return valve included	
Active carbon filter included	

VERTICAL AND HORIZONTAL DISCHARGE: ↑ 4 m → 100 m



BENEFITS

- Ideal for one WC
- Suitable for use in a basement or loft conversion
- Unobtrusive with a quiet motor